

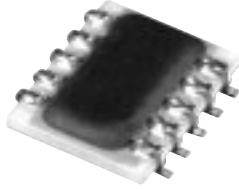
BLUE CELL™

# Frequency Doubler

2.7 to 4.8 GHz

**NEW!**

**KBA-40**



## Features

- low conversion loss, 12.3 dB typ.
- solder plated leads for strain relief and excellent solderability

## Applications

- synthesizers
- local oscillators

## Electrical Specifications

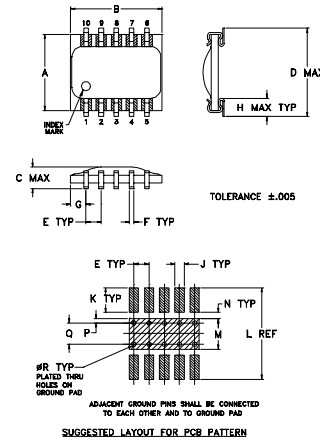
MODEL NO.	FREQUENCY (GHz)		INPUT POWER (dBm)		CONVERSION LOSS (dB)			HARMONIC OUTPUT (dBc)				CASE STYLE	PRICE \$ Qty. (1-9)		
	Input	Output	Min.	Max.	Input Freq.	Typ.	Max.	F1 Typ.	F3 Typ.	F4 Typ.					
KBA-40	2.7-4.8	5.4-9.6	10	16	2.7-4.8	12.3	17.6	18	10	26	15	24	14	SM2	14.95
			5	10	2.7-4.8	13	19	15	8	26	16	26	12		

BLUE CELL™ is protected by U.S. Patents 5,534,830 5,640,132 5,640,134 5,640,699

## Maximum Ratings

Operating Temperature	-40°C to 85°C
Storage Temperature	-55°C to 100°C

## Outline Drawing



## Pin Configuration

INPUT	10
OUTPUT	6
50Ω TERMINATED	1
GROUND	2,3,4,5,7,8,9

## Outline Dimensions (inch)

A	B	C	D	E	F	G	H	J
.250	.300	.070	.290	.050	.015	.050	.060	.030
6.35	7.62	1.78	7.37	1.27	.38	1.27	1.52	.76
K	L	M	N	P	Q	R		wt.
.080	.300	.100	.020	.015	.070	.014		grams
2.03	7.62	2.54	.51	.38	1.78	.36		.3

REV. OR  
M77132  
ED-9298  
KBA-40  
DJ/TD/CP  
010709



INTERNET <http://www.minicircuits.com>

P.O. Box 350166, Brooklyn, New York 11235-0003 (718) 934-4500 Fax (718) 332-4661  
Distribution Centers NORTH AMERICA 800-654-7949 • 417 335-5935 • Fax 417-335-5945 • EUROPE 44-1252-832600 • Fax 44-1252-837010

ISO 9001 CERTIFIED